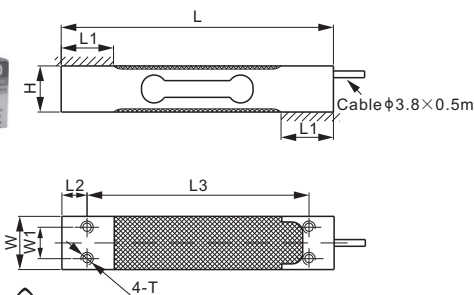
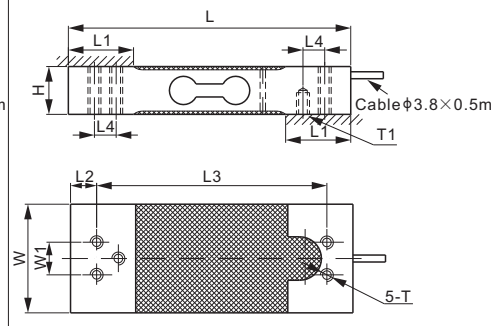


Capacity: 3-75kg



Capacity: 100kg; 150kg



DIMENSIONS

RATED CAPACITY	H	L	L1	L2	L3	L4	W	W1	T	T1
kg/mm										
3-30	22.0	130.0	25.0	12.0	106.0	-	25.4	15.0	M6	-
35	22.0	130.0	25.0	12.0	106.0	-	30.0	15.0	M6	-
40	22.0	130.0	25.0	12.0	106.0	-	38.5	15.0	M6	-
50; 60; 75	22.0	130.0	30.0	12.0	106.0	-	38.5	15.0	M6	-
100; 150	22.0	130.0	30.0	12.0	106.0	10.0	50.0	15.0	M6	M6 Depth 10
lb/inches (conversion of above dimensions)										
6.61-66.14	0.87	5.12	0.98	0.47	4.17	-	1.00	0.59	M6	-
77.16	0.87	5.12	0.98	0.47	4.17	-	1.18	0.59	M6	-
88.18	0.87	5.12	0.98	0.47	4.17	-	1.52	0.59	M6	-
110.23; 132.28; 165.35	0.87	5.12	1.18	0.47	4.17	-	1.52	0.59	M6	-
220.46; 330.69	0.87	5.12	1.18	0.47	4.17	0.39	1.97	0.59	M6	M6 Depth 0.39

SPECIFICATIONS

Full Scale Output	2.0 mV/V ± 10%	Recommended Excitation	10V (15V Maximum)
Zero Balance	± 0.02 mV/V	Reference Max. Platform Size	400 × 400 mm
Non-linearity	< ± 0.017%	Insulation Resistance	> 2 [50V DC] GΩ
Repeatability	< ± 0.017%	Nominal Temperature Range	-10°C to 40°C / 14°F to 104°F
Hysteresis Error	< ± 0.017%	Safe Overload	150% of full scale
Creep in 30 min.	< ± 0.023%	Breaking Overload	300% of full scale
Input Resistance	415Ω ± 15	Seal Type / IP Rating	Environmentally Sealed / IP66
Output Resistance	350Ω ± 3	Cable Color Code	Exc+ Red Exc- Black Sig+ Green Sig- White Shield Bare
Element Material	Aluminum		

PART NUMBER*

Rated Capacity	Part No.	Weight (kg) Approx.
3kg	108BA-3kg	0.2
6kg	108BA-6kg	0.2
6kg*	108BA-03-6kg	0.2
7kg	108BA-7kg	0.2
10kg	108BA-10kg	0.2
15kg	108BA-15kg	0.2
20kg	108BA-20kg	0.2
30kg	108BA-30kg	0.2
35kg	108BA-35kg	0.2
40kg (W=38.5mm)	108BA-40kg	0.2
40kg (W=30mm)	108BA-W1-40kg	0.2
50kg	108BA-50kg	0.26
60kg	108BA-60kg	0.26
75kg	108BA-75kg	0.26
100kg	108BA-100kg	0.35
150kg	108BA-150kg	0.35

* W=30.0mm, side cable exit

INTERCHANGEABLE REFERENCE

Manufacturer	Model
Mettler-Toledo	MT1022
Flintec	PC22*
HBM	PW6C**
HBM	PW6K
Rice Lake	RL1521A
Vishay Celtron	LPS ME 6-35kg
Vishay TedeA-Huntleigh	1022

* PC22 : 6-wire cable, the shielding wire connected to the sensor body, width of 20kg and 30kg is 30mm.

** Full scale output of PW6C: 2.2 ± 0.2% mV/V

AVAILABLE OPTIONS

- 1m cable
- 3m cable
- Stainless steel version 108BS

NTEP 1:5 000 Class III, Single Cell

6kg-40kg: OIML MAA C4, Y=15 000;
50kg-150kg: OIML MAA C5, Y=12 300

* ATEX, FM, IECEx approved versions carry the "-Ex" suffix.

www.anyload.com

© 2023 ANYLOAD V1 dimensions and specifications subject to change without notice