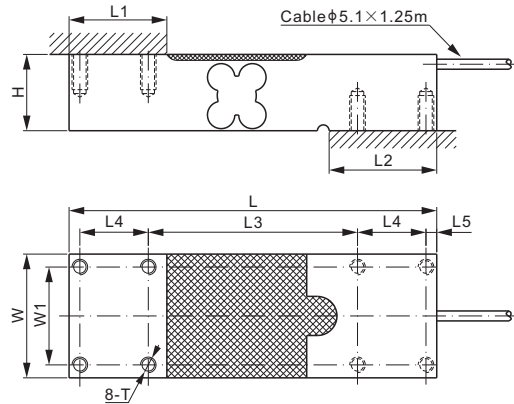
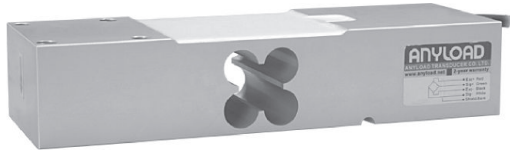


# 108HAUN



## Aluminum



### DIMENSIONS

RATED CAPACITY	H	L	L1	L2	L3	L4	L5	W	W1	T
<b>kg/mm</b>										
50-1,000	38.0	188	50.0	55.0	107	35.0	5.50	63.3	50.0	5/16-18 UNC Depth18
<b>lb/inches</b> (conversion of above dimensions)										
110.23-2,204.6	1.50	7.4	1.97	2.17	4.21	1.38	0.22	2.49	1.97	5/16-18 UNC Depth0.71

SPECIFICATIONS			
Full Scale Output	2.0 mV/V ± 0.25%	Recommended Excitation	10V (15V Maximum)
Zero Balance	± 0.02 mV/V	Reference Max. Platform Size	550×600 mm
Non-linearity	< ± 0.017%	Insulation Resistance	>2 [ 50V DC ] GΩ
Repeatability	< ± 0.017%	Nominal Temperature Range	-10°C to 40°C / 14°F to 104°F
Hysteresis Error	< ± 0.017%	Safe Overload	150% of full scale
Creep in 30 min.	< ± 0.023%	Breaking Overload	300% of full scale
Input Resistance	415Ω ± 15	Seal Type / IP Rating	Environmentally Sealed / IP66
Output Resistance	350Ω ± 3	Cable Color Code	Exc+ Red    Exc- Black Sig+ Green    Sig- White    Shield Bare
Element Material	Aluminum		

### PART NUMBER\*

Rated Capacity	Part No.	Weight (kg) Approx.
50kg	108HAUN-50kg	1.3
100kg	108HAUN-100kg	1.3
250kg	108HAUN-250kg	1.3
635kg	108HAUN-635kg	1.3
1t	108HAUN-1t	1.3

50kg-250kg: NTEP 1:5 000 Class III, Single Cell;  
635kg-1t: NTEP 1:4 000 Class III, Single Cell

50kg-250kg: OIML MAA C5, Y=12 300;  
635kg-1t: OIML MAA C4, Y=4 000

\* ATEX, FM, IECEx approved versions carry the "-Ex" suffix.

SINGLE POINTS