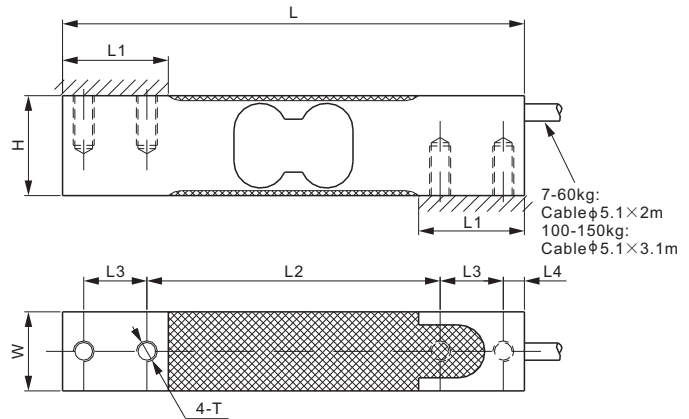


Stainless Steel



DIMENSIONS

RATED CAPACITY	H	L	L1	L2	L3	L4	W	T
kg/mm								
7-15	30.2	139.7	32.0	88.7	19.1	6.4	19.1	1/4-20UNC-2B Depth15
30-60	30.2	139.7	32.0	88.7	19.1	6.4	23.9	1/4-20UNC-2B Depth15
100-150	30.7	139.7	38.0	79.2	22.3	7.8	30.2	3/8-16UNC-2B Depth15
lb/inches (conversion of above dimensions)								
15.4-33.1	1.19	5.50	1.26	3.49	0.75	0.25	0.75	1/4-20UNC-2B Depth0.6
66.1-132.3	1.19	5.50	1.26	3.49	0.75	0.25	0.94	1/4-20UNC-2B Depth0.6
220.5-330.7	1.21	5.50	1.50	3.12	0.88	0.31	1.19	3/8-16UNC-2B Depth0.6

SPECIFICATIONS

Full Scale Output	2.0 mV/V $\pm 10\%$	Recommended Excitation	10V (15V Maximum)
Zero Balance	± 0.02 mV/V	Reference Max. Platform Size	400 \times 400 mm
Non-linearity	$< \pm 0.017\%$	Insulation Resistance	$> 2 [50V DC] G\Omega$
Repeatability	$< \pm 0.017\%$	Compensated Temperature Range	-10°C to 50°C / 14°F to 122°F
Hysteresis Error	$< \pm 0.017\%$	Safe Overload	150% of full scale
Creep in 30 min.	$< \pm 0.023\%$	Breaking Overload	300% of full scale
Input Resistance	385 $\Omega \pm 15$	Seal Type / IP Rating	Environmentally Sealed / IP66
Output Resistance	350 $\Omega \pm 3$	Cable Color Code	Exc+ Red Exc- Black Sig+ Green Sig- White Shield Bare
Element Material	2Cr13 Stainless Steel		

PART NUMBER*

Rated Capacity	Part No.	Weight (kg) Approx.
7kg.....	108TSLL-7kg-YZ.....	0.7
10kg.....	108TSLL-10kg-YZ.....	0.7
15kg.....	108TSLL-15kg-YZ.....	0.7
30kg.....	108TSLL-30kg-YZ.....	0.7
60kg.....	108TSLL-60kg-YZ.....	0.7
100kg.....	108TSLL-100kg-YZ.....	0.7
150kg.....	108TSLL-150kg-YZ.....	0.7

* ATEX, FM, IECEx approved versions carry the "-Ex" suffix.

INTERCHANGEABLE REFERENCE

Manufacturer	Model
Coti Global.....	CG-PWS
HBM.....	PWS
Rice Lake.....	RL1380