

DIMENSIONS

RATED CAPACITY	C1	C2	C3	H	H1	L	L1	W	W1	W2
lb/inches										
12.5-18.75	0.18	0.17	-	0.10	-	2.50	1.25	2.50	2.09	1.25
25	0.18	0.18	-	0.11	-	2.50	1.25	2.50	2.09	1.25
37.5	0.18	0.18	-	0.14	-	2.50	1.25	2.50	2.09	1.25
50	0.18	0.18	-	0.16	-	2.50	1.25	2.50	2.09	1.25
100	0.18	0.18	-	0.25	-	2.50	1.25	2.50	2.09	1.25
200	0.18	0.18	0.28	0.31	0.16	2.50	1.25	2.50	2.09	1.25
kg/mm										
100	4.6	4.6	7.1	8.3	4.0	63.5	31.8	63.5	53.1	31.8
200	4.6	4.6	7.1	11.7	5.0	63.5	31.8	63.5	53.1	31.8
300	4.6	4.6	7.1	14.3	5.0	63.5	31.8	63.5	53.1	31.8

SPECIFICATIONS

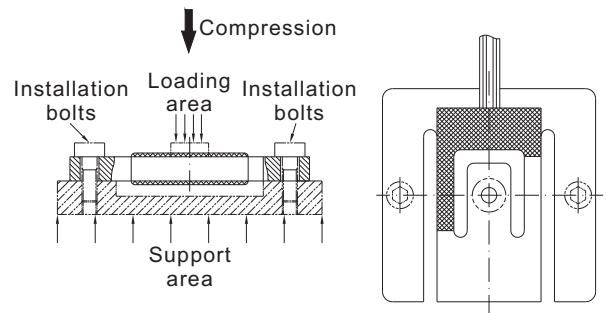
Full Scale Output	0.9 mV/V ± 0.1%	Element Material	Aluminum
Calibration in mV/V/Ω	± 0.05%	Recommended Excitation	10V (15V Maximum)
Zero Balance	± 0.02 mV/V	Insulation Resistance	> 2 [50V DC] GΩ
Non-linearity	< ± 0.017%	Nominal Temperature Range	-10°C to 40°C / 14°F to 104°F
Repeatability	< ± 0.017%	Safe Overload	150% of full scale
Hysteresis Error	< ± 0.017%	Breaking Overload	300% of full scale
Creep in 30 min.	< ± 0.030%	Seal Type / IP Rating	Environmentally Sealed / IP65
Input Resistance	1204Ω ± 5	Cable Color Code	Exc+ Red Exc- Black Sig+ Green Sig- White
Output Resistance	1000Ω ± 10		

PART NUMBER*

Rated Capacity	Part No.	Weight (kg) Approx.
12.5lb.....	202WA-12.5lb.....	0.1
18.75lb.....	202WA-18.75lb.....	0.1
25lb.....	202WA-25lb.....	0.1
37.5lb.....	202WA-37.5lb.....	0.1
50lb.....	202WA-50lb.....	0.2
100lb.....	202WA-100lb.....	0.2
200lb.....	202WA-200lb.....	0.2
100kg.....	202WA-100kg.....	0.2
200kg.....	202WA-200kg.....	0.2
300kg.....	202WA-300kg.....	0.2

* ATEX, FM, IECEx approved versions carry the "-Ex" suffix.

INSTALLATION DRAWING



INTERCHANGEABLE REFERENCE

Manufacturer	Model
FLINTEC.....	PBW