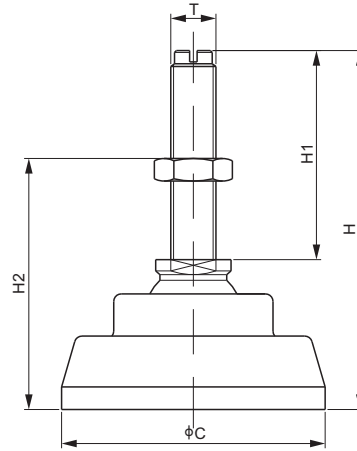


Active Mounting Foot, 2Cr13 Stainless Steel



DIMENSIONS

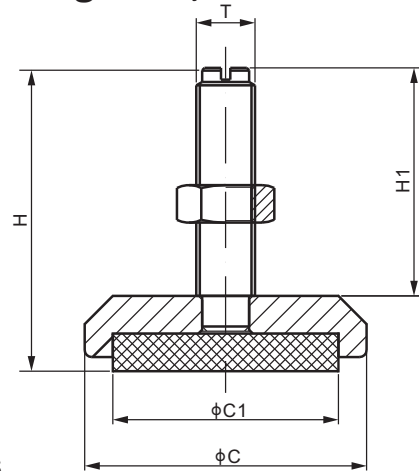
| PART NUMBER | RATED CAPACITY | C | H | H1 | H2 | T | Self Weight Approx.(kg) |
|-------------|--------------------|------|-------|------|------------|---------------|-------------------------|
| | lb/inches | | | | | | |
| AMFSS-F-1/2 | 100-4,000; SE5,000 | 2.76 | 3.85 | 2.19 | 2.01-3.68 | 1/2-20 UNF-2A | 0.5 |
| AMFSS-F-3/4 | 5,000-10,000 | 3.15 | 4.07 | 2.19 | 2.24-3.90 | 3/4-16 UNF-2A | 0.8 |
| AMFSS-F-1 | 15,000; 20,000 | 3.94 | 5.65 | 2.95 | 3.21-5.45 | 1-14 UNS-2A | 1.8 |
| | kg/mm | | | | | | |
| AMFSS-F-M12 | 100-2,000 | 70 | 97.8 | 55.5 | 51-93.5 | M12X1.75 | 0.5 |
| AMFSS-F-M18 | 2,500; 5,000 | 80 | 103.5 | 55.5 | 57-99 | M18X1.50 | 0.8 |
| AMFSS-F-M24 | 10,000 | 100 | 143.5 | 75.0 | 81.5-138.5 | M24X2.00 | 1.8 |

AVAILABLE OPTIONS

- Alloy Steel: AMF-F-xx
- 17-4PH and 304 Stainless Steel: AMFS4-F-xx

FMFSS

Fixed Mounting Foot, 2Cr13 Stainless Steel



DIMENSIONS

| PART NUMBER | RATED CAPACITY | C | C1 | H | H1 | T | Self Weight Approx.(kg) |
|-------------|----------------|----|----|------|------|------------|-------------------------|
| | lb/mm | | | | | | |
| FMFSS60-1/2 | 500-SE5,000 | 60 | 48 | 64.5 | 48.5 | 1/2-20 UNF | 0.3 |
| FMFSS70-3/4 | 5,000-10,000 | 70 | 58 | 76.0 | 58.0 | 3/4-16 UNF | - |
| | kg/mm | | | | | | |
| FMFSS60-M12 | 100-2,000 | 60 | 48 | 64.5 | 48.5 | M12×1.75 | 0.3 |
| FMFSS70-M18 | 2,500-5,000 | 70 | 58 | 76.0 | 58.0 | M18×1.50 | - |

AVAILABLE OPTIONS

- Alloy Steel: FMFxx-xx
- 17-4PH and 304 Stainless Steel: FMFS4xx-xx