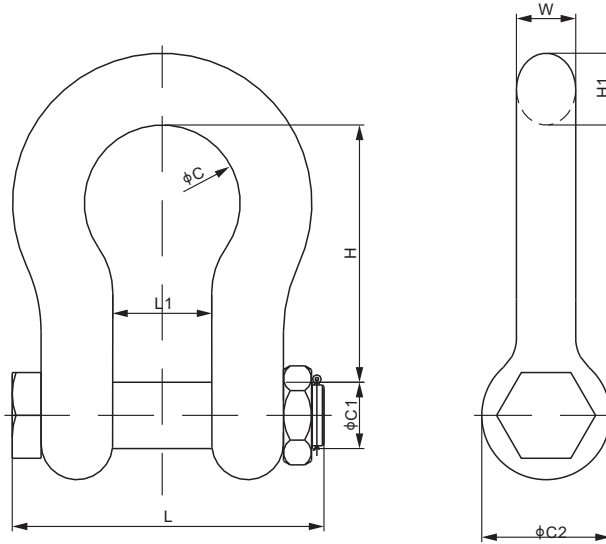


Shackle, Alloy Steel



Features:

- High tensile bolt type anchor shackle, quality meets ISO2415-2004
- Working Load Limit(WLL) permanently engraved on each shackle
- Each shackle proof tested to 2.0 times the Working Load Limit
- Breaking load: 4.0 times of Working Load Limit



DIMENSIONS

PART NUMBER	C	C1	C2	H	H1	L	L1	W	Safe Working Load Limit	Shipping Weight
mm										
TBX-2t	26	12	23	36.5	9.5	54	17	9.5	2t	0.13kg
TBX-2.5t	29.5	14	27	43	11	62	19	11	2.5t	0.22kg
TBX-3.25t	33	16	30	48	13	71.5	20.5	13	3.25t	0.31kg
TBX-5t	43	20	38	60.5	17.5	89	27	16	5t	0.72kg
TBX-7t	51	22	46	71.5	20.5	105	32	19	7t	1.10kg
TBX-9.5t	58	27	53	84	24.5	121	36.5	22.5	9.5t	1.76kg
TBX-12.5t	68.5	30	60.5	95	27	136.5	43	25.5	12.5t	2.58kg
TBX-15t	74	33	68.5	108	32	150.5	46	29.5	15t	3.70kg
TBX-18t	82.5	36	76	119	35	166.5	51.5	33	18t	5.06kg
TBX-21t	92	39	84	133.5	38	181	57	36	21t	6.70kg
TBX-30t	98.5	42	92	146	41	196.5	60.5	39	30t	8.42kg
TBX-40t	127	52	106.5	178	57	239	73	47	40t	14.22kg
TBX-50t	146	60	122	197	61	266.5	82.5	53	50t	23.3kg
TBX-80t	184	72	144.5	267	79.5	344	105	69	80t	42.12kg
TBX-110t	200	85	165	330	92	400	127	76	110t	74.8kg
inches (conversion of above dimensions)										
TBX-2t	1.02	0.47	0.91	1.44	0.37	2.13	0.67	0.37	4.41Klb	0.29lb
TBX-2.5t	1.16	0.55	1.06	1.69	0.43	2.44	0.75	0.43	5.51Klb	0.49lb
TBX-3.25t	1.30	0.63	1.18	1.89	0.51	2.81	0.81	0.51	7.17Klb	0.68lb
TBX-5t	1.69	0.79	1.50	2.38	0.69	3.50	1.06	0.63	11.02Klb	1.59lb
TBX-7t	2.01	0.87	1.81	2.81	0.81	4.13	1.26	0.75	15.43Klb	2.43lb
TBX-9.5t	2.28	1.06	2.09	3.31	0.96	4.76	1.44	0.89	20.94Klb	3.88lb
TBX-12.5t	2.70	1.18	2.38	3.74	1.06	5.37	1.69	1.00	27.56Klb	5.69lb
TBX-15t	2.91	1.30	2.70	4.25	1.26	5.93	1.81	1.16	33.07Klb	8.16lb
TBX-18t	3.25	1.42	2.99	4.69	1.38	6.56	2.03	1.30	39.68Klb	11.16lb
TBX-21t	3.62	1.54	3.31	5.26	1.50	7.13	2.24	1.42	46.30Klb	14.77lb
TBX-30t	3.88	1.65	3.62	5.75	1.61	7.74	2.38	1.54	66.14Klb	18.56lb
TBX-40t	5.0	2.05	4.19	7.01	2.24	9.41	2.87	1.85	88.18Klb	31.35lb
TBX-50t	5.75	2.36	4.80	7.76	2.40	10.5	3.25	2.09	110.23Klb	51.37lb
TBX-80t	7.24	2.83	5.69	10.5	3.13	13.5	4.13	2.72	176.37Klb	92.86lb
TBX-110t	7.87	3.35	6.50	13.0	3.62	15.7	5.0	2.99	242.51Klb	164.91lb

SHACKLES, EYEBOLTS, ROD END