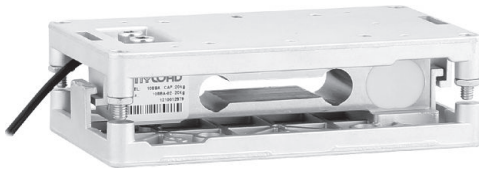


Aluminum, Compression Test Mount



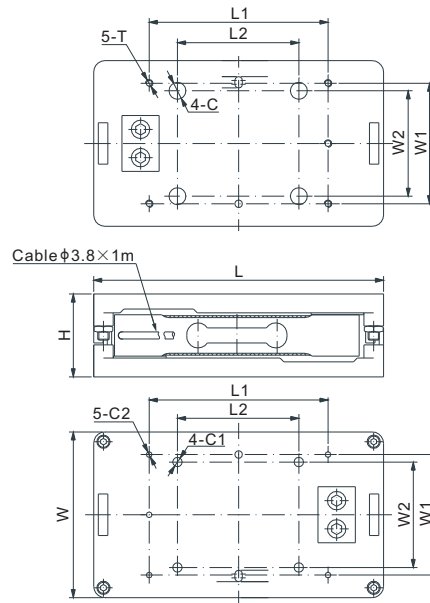
Features:

- For indicators, remote displays, printers, computers, PLC, etc.
- Aluminum single point load cell with a aluminum mount
- Capacities: 6kg, 20kg (other capacities available upon request)
- CE, RoHS, Ex, OIML MAA, NTEP approved for load cells
- Four points overloading protection and anti-lifting protection

Load Cell Certifications:



Load cell included.



DIMENSIONS

| RATED CAPACITY | C | C1 | C2 | H | L | L1 | L2 | W | W1 | W2 | T |
|---|------|------|------|------|-------|------|------|------|------|------|--------------|
| kg/mm | | | | | | | | | | | |
| 3-30 | 9.0 | 5.0 | 3.0 | 44.0 | 154.0 | 95.0 | 64.5 | 88.0 | 64.0 | 56.0 | M4 Depth8.0 |
| lb/inches (conversion of above dimensions) | | | | | | | | | | | |
| 6.61-66.14 | 0.35 | 0.20 | 0.12 | 1.73 | 6.06 | 3.74 | 2.54 | 3.46 | 2.52 | 2.20 | M4 Depth0.31 |

PART NUMBER

| Rated Capacity | Part No. | Weight (kg) Approx. |
|----------------|---------------------|---------------------|
| 6kg..... | TMA-108BA-6kg..... | 0.8 |
| 20kg..... | TMA-108BA-20kg..... | 0.8 |

AVAILABLE OPTIONS

- Capacity of 3kg, 7kg, 10kg, 15kg and 30kg available (produced upon request)
- 6 wire cable available

OTHER INSTRUMENTS