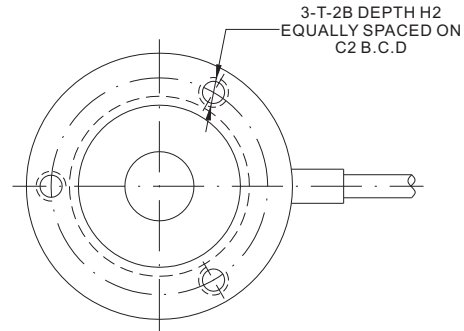
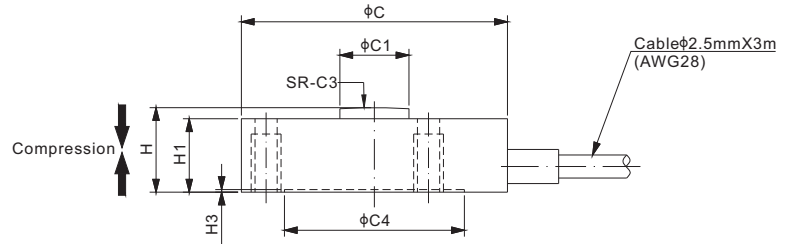


247ASLL



Stainless Steel



FORCE MEASUREMENT LOAD CELL



DIMENSIONS

RATED CAPACITY	C	C1	C2	C3	C4	H	H1	H2	H3	T
Klb/inches										
5-10	1.48	0.43	1.25	3.00	1.08	0.63	0.55	0.25	0.03	#6-32 UNC
kg/mm (conversion of above dimensions)										
2,267.96-4,535.92	37.6	10.9	31.8	76.2	27.4	16.0	14.0	6.40	0.70	#6-32 UNC

SPECIFICATIONS

Full Scale Output	2.0 mV/V \pm 20%	Element Material	17-4PH Stainless Steel
Zero Balance	\pm 0.02 mV/V	Recommended Excitation	10V (15V Maximum)
Non-linearity	Cap.=5Klb: \leq \pm 0.25%;	Insulation Resistance	>0.5 [50V DC] G Ω
	Cap.=10Klb: \leq \pm 0.50%	Nominal Temperature Range	-10°C to 50°C / 14°F to 122°F
Repeatability	\leq \pm 0.10%	Safe Overload	150% of full scale
Hysteresis Error	Cap.=5Klb: \leq \pm 0.25%;	Breaking Overload	300% of full scale
	Cap.=10Klb: \leq \pm 0.50%	Seal Type / IP Rating	IP64
Creep in 30 min.	< \pm 0.1%	Cable Color Code	Exc+ Red Exc- Black
Input Resistance	700 Ω \pm 25		Sig+ Green Sig- White
Output Resistance	700 Ω \pm 3		Shield Bare

PART NUMBER*

Rated Capacity	Part No.	Weight (kg) Approx.
5Klb.....	247ASLL-5Klb.....	0.4
10Klb.....	247ASLL-10Klb.....	0.4

* ATEX, FM, IECEx approved versions carry the "-Ex" suffix.