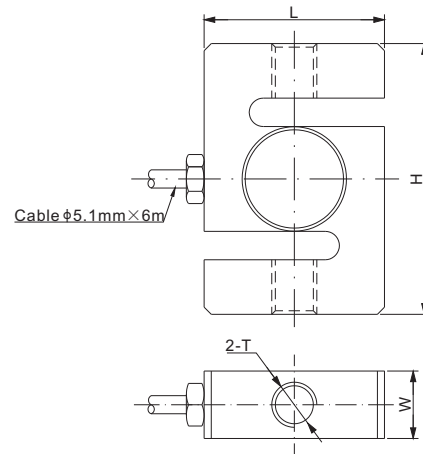


101NH-LE



Alloy Steel



DIMENSIONS

RATED CAPACITY	H	L	W	W1	T
lb/inches					
5,000	4.25	3.00	1.00	-	3/4-16 UNF
10,000	4.75	3.50	1.00	-	3/4-16 UNF
5,000*	4.25	3.00	1.00	-	1/2-20 UNF

SPECIFICATIONS

Full Scale Output	3.0 mV/V ± 0.25%	Recommended Excitation	10V (15V Maximum)
Zero Balance	± 1.00 mV/V	Insulation Resistance	>2 [50V DC] GΩ
Non-linearity	< ± 0.03%	Nominal Temperature Range	-10°C to 50°C / 14°F to 122°F
Repeatability	< ± 0.01%	Safe Overload	150% of full scale
Hysteresis Error	< ± 0.02%	Breaking Overload	300% of full scale
Creep in 30 min.	< ± 0.02%	Seal Type / IP Rating	Welded Sealed / IP67
Input Resistance	385Ω ± 10	Cable Color Code	Exc+ Red Exc- Black
Output Resistance	350Ω ± 3		Sig+ Green Sig- White
Element Material	Alloy Steel, Nickel Plated		Shield Bare

PART NUMBER

Rated Capacity	Part No.	Weight (kg) Approx.
5Klb.....	101NH-LE5Klb	1.5
10Klb.....	101NH-LE10Klb	1.5
5Klb*.....	101NH-05-LE5Klb	1.5

*1/2-20 UNF thread, not interchangeable with Sensortronics 60001

INTERCHANGEABLE PRODUCTS

Manufacturer	Model
Vishay Sensortronics.....	60001



NTEP 1:5 000 Class III L, Multiple Cell



OIML MAA C4.5, Y=14 000

S-BEAMS