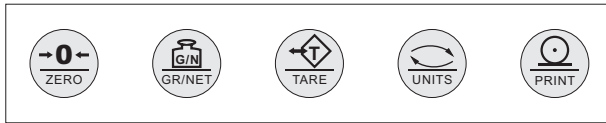


## LED Industrial Weight Indicator



### Keyboard Configuration



### Features:

- 0.8", 6 digits, 7 segments, LED display
- Indication of up to four units of measurements: kg, lb, oz and g
- Indication of gross, net and tare
- Indication of stability and centre of zero
- Easy wiring screw terminals
- Weight, peak, set point, and piece counting
- Password protected calibration menu
- Physical and electronic sealing via audit trail function
- Two set point output relays
- Advance analogue, digital and average filtering
- Two independent RS232 serial communication ports
- One independent RS485 serial communication port
- Weather proof stainless steel enclosure, NEMA4X / IP66
- Breather vent to avoid condensation inside

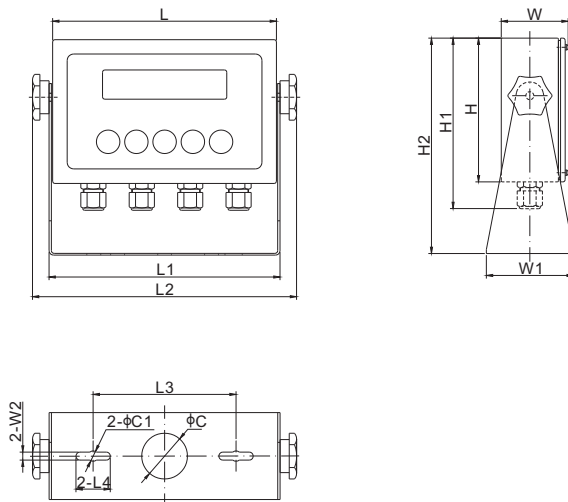
### Approvals:

- NTEP: Class III/IIIL 10,000d
- Measurement Canada: Class III / IIIHD 10,000d / 20,000d

Specifications	
<b>Power Supply</b>	UL approved internal, 100VAC to 240VAC, 50-60Hz
<b>Power Consumption</b>	120VAC @ 0.1A / 12VDC @ 0.5A (10W AC / 5W DC) typical
<b>Excitation Voltage</b>	5V DC $\pm$ 5%
<b>Number of load cells</b>	Up to 8x350 $\Omega$ ; 16x700 $\Omega$
<b>Input Range</b>	Up to 19mV/4mV/V
<b>Sample Rate</b>	80 samples/second
<b>Resolution</b>	1,000,000 internal count, with 24bits resolution
<b>Division</b>	legal for trade 10,000d/20,000d
<b>Tare range</b>	100% Full Scale NTEP/MC/OIML
<b>Communicate interface</b>	2 x RS-232C, 1 x RS-485
<b>Output</b>	2 x form C Relays
<b>Working Humidity</b>	20% RH to 90% RH
<b>Working Temperature</b>	-10°C to 50°C / 15°F to 120°F
<b>Dimensions (W x H x D)</b>	9.1" x 7.4" x 3.0" (231 x 188 x 76mm) base included

### PART NUMBER

Part No.	Power Supply	Weight (kg) Approx.
815TS-B-21E.....	Internal.....	2.3



DIMENSIONS			
<b>L</b>	7.7in (196mm)	<b>H</b>	4.9in (125mm)
<b>L1</b>	8.0in (202mm)	<b>H1</b>	5.9in (149mm)
<b>L2</b>	9.1in (231mm)	<b>H2</b>	7.4in (188mm)
<b>L3</b>	4.9in (125mm)	<b>C</b>	1.6in (40mm)
<b>L4</b>	1.2in (30mm)	<b>C1</b>	0.4in (9mm)