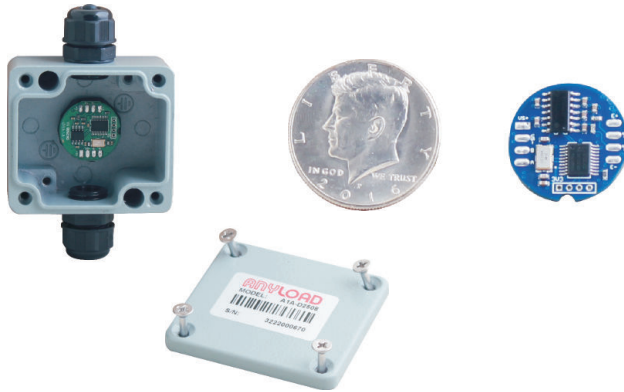
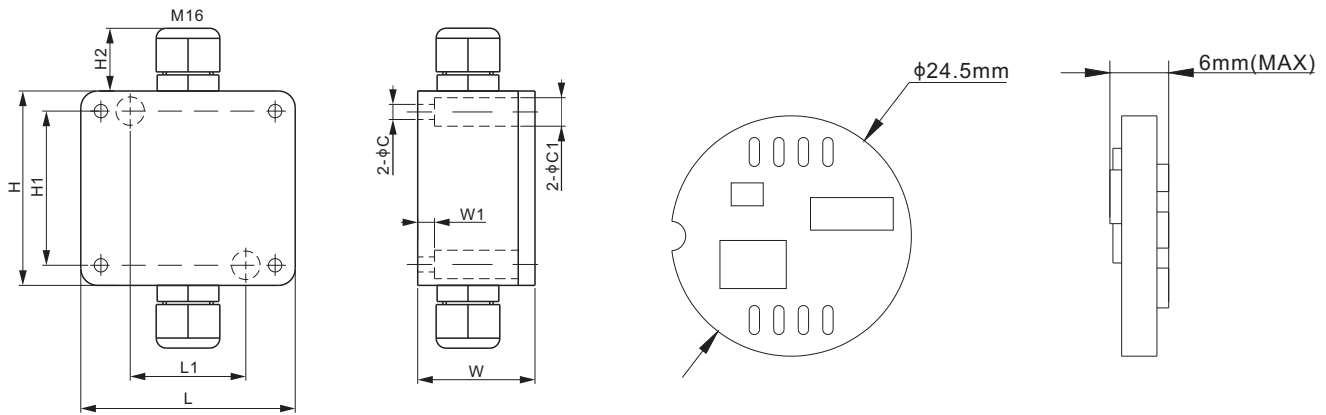


Digital Amplifier, Aluminum Enclosure



Features:

- Small volume and enable to mount inside of load cell
- One input port, can connect directly to 1 x 350 Ω load cell, or max 4 x 350 Ω (or higher resistance) load cells through a junction box
- 24 digit high accuracy converter and high-speed microprocessor
- Internal digital filter and strong anti-interference ability
- Support 9 points multi-section nonlinear calibration
- Applied to all kinds of strain gauge bridge-type load cell, such as , tension, compression, torque and so on



DIMENSIONS

	C	C1	H	H1	H2	L	L1	W	W1
mm	4.5	8.5	58	46	18	64	34.5	35	5
inches	0.2	0.3	2.3	1.8	0.7	2.5	1.4	1.4	0.2

SPECIFICATIONS

Load Cell Type		All strain gage type
Power Supply	V DC	6~24
Input range	mV/V	0.8~3.9
Output signal		RS232/RS485
Communication protocol		MODBUS
Resolution		>1000000
Temperature Coefficient		better than 100ppm
Operating temperature range	°C / °F	-30 - 80 / -22 - 176
Excitation voltage to load cell	V	5

PART NUMBER

Digit board ONLY

Part No.	Interface	Weight (kg) Approx.
DGB-DM2507.....	RS232.....	0.02
DGB-DM2508.....	RS485.....	0.02

With aluminum enclosure

Part No.	Interface	Weight (kg) Approx.
A1A-D2507.....	RS232.....	0.15
A1A-D2508.....	RS485.....	0.15

CONNECTION DIAGRAM

